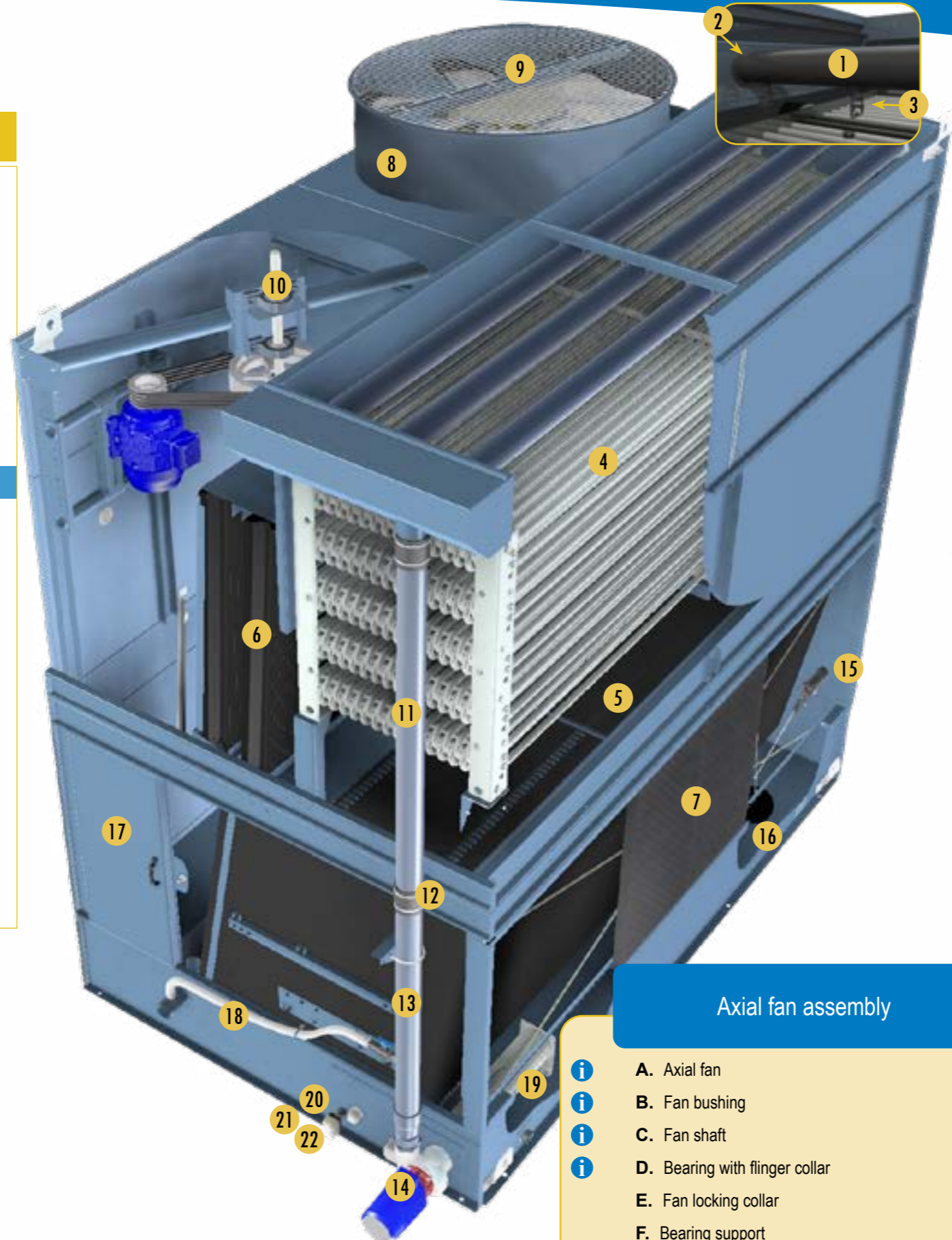




## Fill, Coil & Pan Section

- i** 1. Spray branches
- i** 2. Spray branch grommets
- i** 3. Spray nozzles & nozzles grommets
- i** 4. Coil
- i** 5. Fill sheets with integrated drift eliminators
- i** 6. Drift eliminators
- i** 7. Combined inlet shields
- i** 8. Fan cylinder
- i** 9. Fan guard
- i** 10. Axial fan assembly (see detailed view)
- i** 11. Upper pump piping
- i** 12. Sleeve & clamps
- i** 13. Lower pump piping
- i** 14. Spray pump  
with volute      without volute      seal kit
- i** 15. Make-up valve assembly
- i** 16. Float ball
- i** 17. Access door
- i** 18. Bleed line with manual valve
- i** 19. Pan strainer
- i** 20. Heater
- i** 21. Low level cut out switch
- i** 22. Heater thermostat



Spare parts for cooling tower

## Client contact information

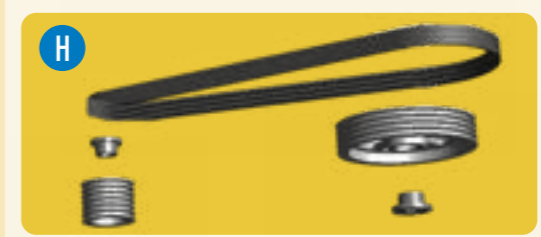
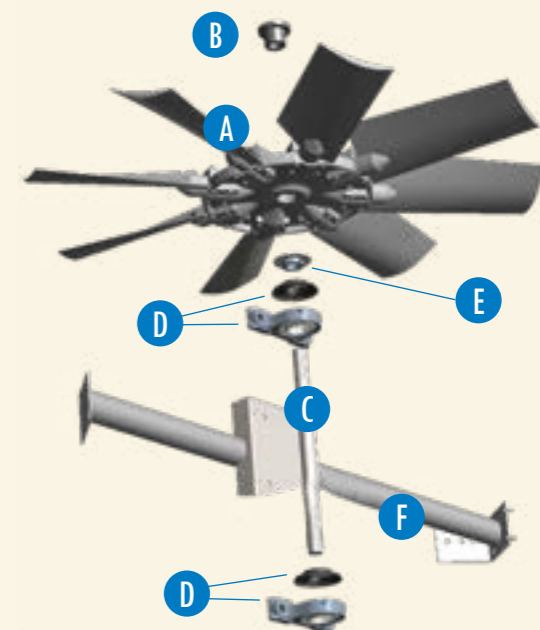
Name \_\_\_\_\_  
 Company \_\_\_\_\_  
 Telephone \_\_\_\_\_  
 Email \_\_\_\_\_  
 Unit model \_\_\_\_\_  
 Serial number \_\_\_\_\_



Name \_\_\_\_\_  
 Telephone \_\_\_\_\_  
 Email \_\_\_\_\_

## Axial fan assembly

- i** A. Axial fan
- i** B. Fan bushing
- i** C. Fan shaft
- i** D. Bearing with flinger collar
- i** E. Fan locking collar
- i** F. Bearing support
- i** G. Impervix Fan motor
- i** H. Drive set  
Motor sheave & bushing  
Aluminium fan sheave & bushing
- i** Belt set



Quantities may vary according to the unit type.

